

PDL Generator

In cases where it is necessary to consider the influence of polarization dependency in high-speed optical communication (measurement of 100 G proof stress) and various experiments, the consideration process has been time-consuming until now because various polarized optical devices have to be set up to output arbitrary polarization states.

This product can generate arbitrary PDL with high precision and high resolution for inputted linearly polarized light, and then output the light.

Features

- Low insertion loss
- PDL generation resolution: 0.1 dB
- Max. PDL generation: 10 dB
- Manual operation capability and external control capability by USB



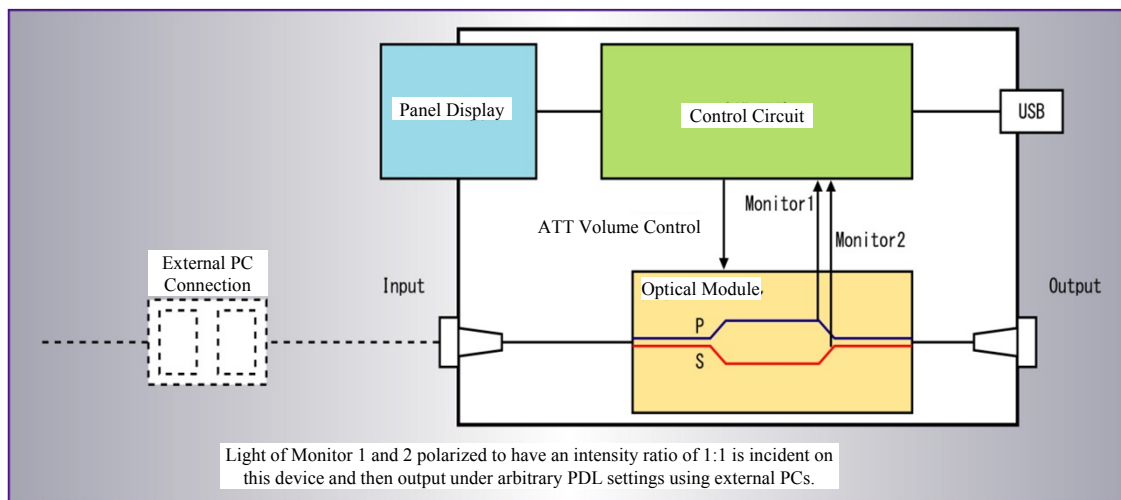
Typical Specifications

Model	WFGP
Wavelength	1530-1610 nm
Insertion Loss	≤ 1.5 dB
PDL Generation Amount	0-10 dB
PDL Setting Resolution	≤ 0.1 dB
Return Loss	≥ 50 dB
Input Light Intensity	-15 to +10 dBm
Monitor Function	Input Light Intensity and PDL Setting
Optical Fiber	SMF or DSF
Optical Adapter	SC/FC Inter-Exchangeable Type Adapter

Rating

External Control	USB (with the driver)
Power Source	AC 90-110 V
Power Consumption	≤ 30 [W]
Operating Temperature	15-35 [deg C]
Storage Temperature	-10-60 [deg C]
Dimensions (W x D x H)	260 x 350 x 99 (mm) (Excluding protruding parts, such as switches, connectors, rubber bottoms, etc.)

Usage Example



Ordering Instructions

+PDL Generator

Order format: **WFPG- 15 - (1) / (2)**

Input and Output

Order format example: WFPG-15-S/S

(λ: 1510nm, Fiber: SMF, Connector: SC/SPC)

(1) Wavelength	15: 1550 nm
(2) Optical Fiber	S: SMF D: DSF
(3) Types of Polish	F: FC/SPC S: SC/SPC FA: FC/Angled PC SA: SC/Angled PC *When you chose the Angled PC, the adapter is the fixed type.